

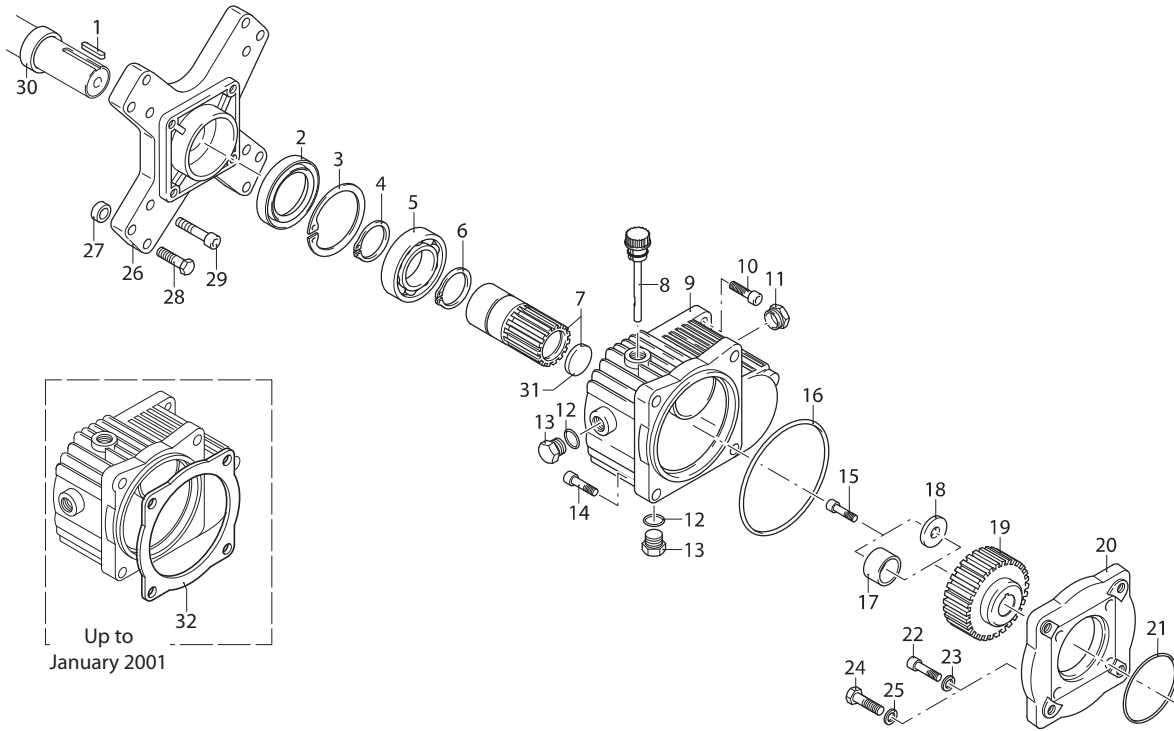
CR 1" for XT, XM, RK, RW, XW, SXW series



Cilindrico
Cylindrical

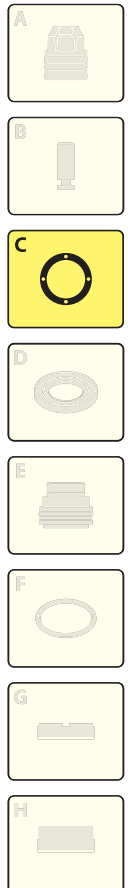
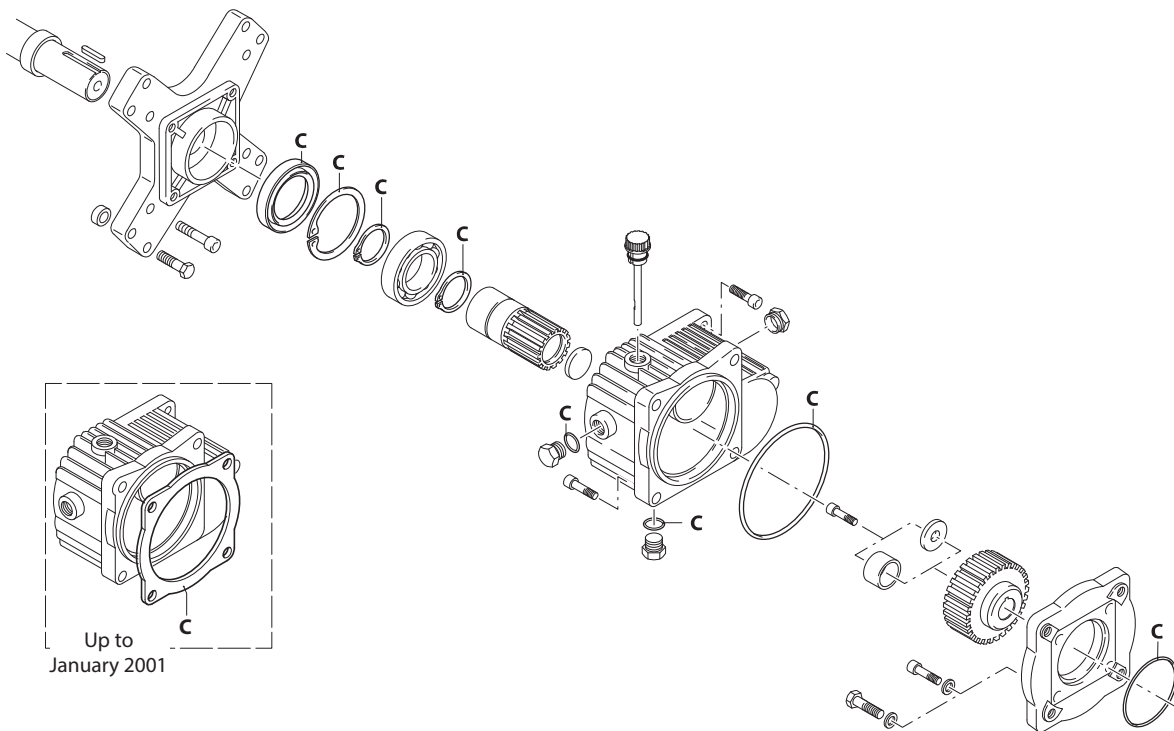
Ø 1"

SAE J 609a



UN00_4118-IR

KIT RICAMBI / PART KITS



UN00_4119-IR



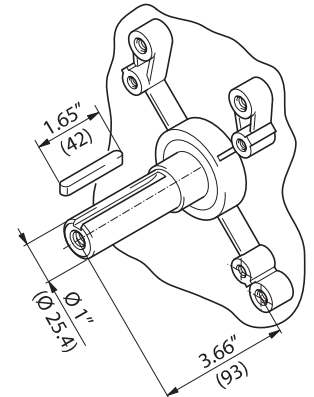
Pos.	Cod.	Denominazione	Description	Qt	Note
1	960770	Linguetta	Key	1	
2	961800	Anello tenuta	Ring	1	○ ● ☆
	1941920	Anello tenuta	Ring	1	▼ ▲ Viton
3	961790	Anello seeger Øi 68	Ring	1	
4	320240	Anello seeger Øe 40	Ring	1	
5	961781	Cuscinetto	Bearing	1	
6	320240	Anello seeger Øe 40	Ring	1	☆ ▼
7	1389001	Pignone Z=23	Pinion	1	○ ● ▼
	1389000	Pignone Z=21	Pinion	1	☆ ▲
8	1140370	Tappo	Plug	1	
9	1320910	Scatola	Box	1	
10	881940	Vite TCEI M8x25	Screw	4	⊕ C=24Nm
11	1983700	Indicatore livello	Level gauge	1	▼ ▲ C=20Nm
	1980290	Indicatore livello 3/8" G	Level gauge	1	○ ● ☆ C=8Nm
12	740290	Guarnizione OR Ø 14x1,78	O-ring	2	
13	1980740	Tappo 3/8" G ottone	Plug	2	C=20Nm
14	160671	Vite TCEI M10x25	Screw	4	⊕ C=24Nm
15	880280	Vite TCEI M6x18	Screw	1	⊕ C=10Nm
16	1520590	Guarnizione OR Ø 107,67x1,78	O-ring	1	From January 2001 onwards
17	1940500	Distanziale	Spacer	1	▼ ▲
18	780230	Rondella	Washer	1	○ ● ☆
19	1322940	Ruota dentata Z=45	Gear	1	○
	1321230	Ruota dentata Z=45	Gear	1	● ▼
20	1320960	Ruota dentata Z=47	Gear	1	☆ ▲
21	1320920	Flangia	Flange	1	○
	1320930	Flangia	Flange	1	● ☆ ▼ ▲
22	650920	Guarnizione OR Ø 53,65x2,62	O-ring	1	○
	640030	Guarnizione OR Ø 59,99x2,62	O-ring	1	● ☆ ▼ ▲
23	780330	Vite TCEI M6x20	Screw	4	⊕ C=10Nm
24	1341020	Rondella	Washer	4	○
25	180432	Vite TE M8x20	Screw	4	● ☆ XM-XMA ⊕ C=24Nm
	390450	Vite TE M8x30	Screw	4	● ☆ RK-RK ⊕ C=24Nm
26	1260100	Rondella	Washer	4	● ☆ ▼ ▲
27	1320940	Flangia	Flange	1	
28	961770	Distanziale	Spacer	4	
29	961900	Vite 3/8"	Screw	4	
30	651000	Vite TCEI 5/16" 24 UNF 1"	Screw	4	
31	1382540	Distanziale	Spacer	1	● ☆ ▼ ▲
31	1382530	Tenuta olio	Oil seal	1	

Pos.	Cod.	Denominazione	Description	Qt	Note
32	1320990	Guarnizione	Gasket	1	Up to January 2001

1" SHAFT (Ø 25.4 mm) GAS ENGINES - KEY USAGE INSTRUCTIONS
(Ref. REDUCTION GEARBOXES AR codes 1689-1690-1697-1698)

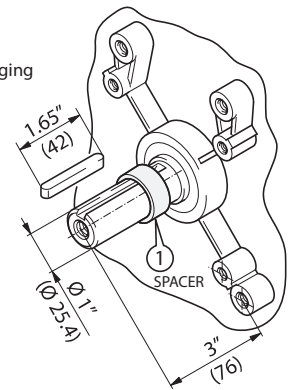
LONG SHAFT GAS ENGINES

NOTE: Use 1.5" key (38 mm) **ONLY** for LONG SHAFT gas engines (3.66")



SHORT SHAFT GAS ENGINES

NOTE: Use 1.65" key (42 mm) **ONLY** for SHORT SHAFT gas engines for outputs ranging from 9 to 20 HP



Measurement are in INCHES (mm)

cod. 1382520 - 06.05.02

KIT RICAMBI - PART KITS

C=KIT 2793 ○ tenute olio oil seals		C=KIT 2525 ● ☆ tenute olio oil seals		C=KIT 2571 ▼ ▲ tenute olio oil seals			
Pos.	Q.ty	Pos.	Q.ty	Pos.	Q.ty	Pos.	Q.ty
2	1	2	1	2	1		
3	1	3	1	3	1		
4	1	4	1	4	1		
6	1	6	1	6	1		
12	2	12	2	12	2		
16	1	16	1	16	1		
21	1	21	1	21	1		

Pos.	Q.ty	Pos.	Q.ty	Pos.	Q.ty	Pos.	Q.ty

SIMBOLOGIA - SYMBOLS

For XT series	For XM, RK series	For RW, XW, SXW series
○ Per / For cod. 1693 1:2	● Per / For cod. 1690 1:2 ☆ Per / For cod. 1689 1:2,24	▼ Per / For cod. 1697 1:2 ▲ Per / For cod. 1698 1:2,24

C Tolleranza coppia di serraggio +0÷-10% / Tightening torque tolerance +0÷-10%

⊕ Avvitare con Loxeal 55-14 / Screw with Loxeal 55-14

⊕ Sigillare con Arexons Mastic / Seal with Arexons adhesive

Olio - Oil

Tipo / Type	Quantità / Quantity
ISO VG 220	0,21 Kg